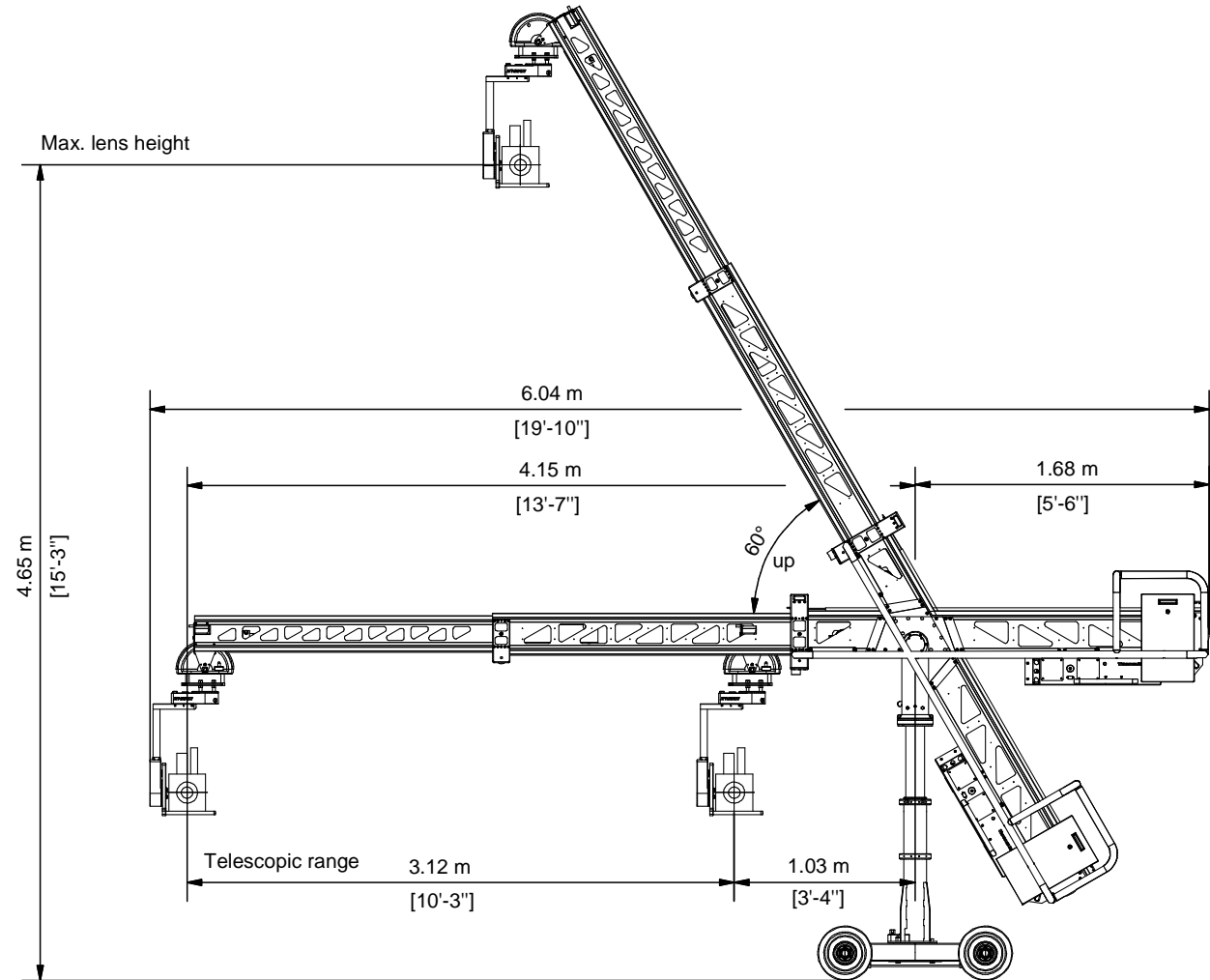
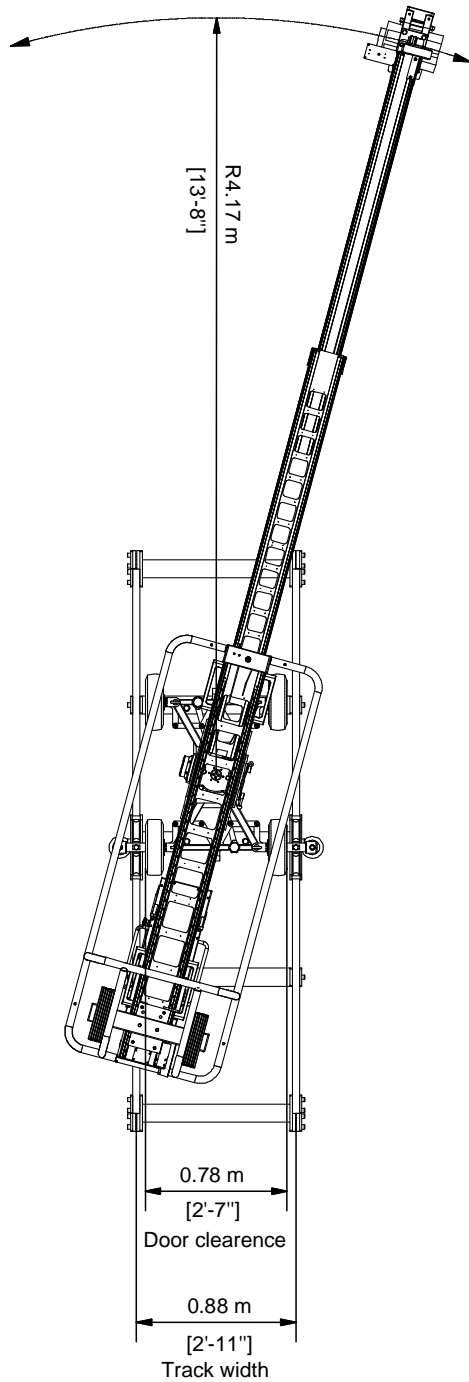
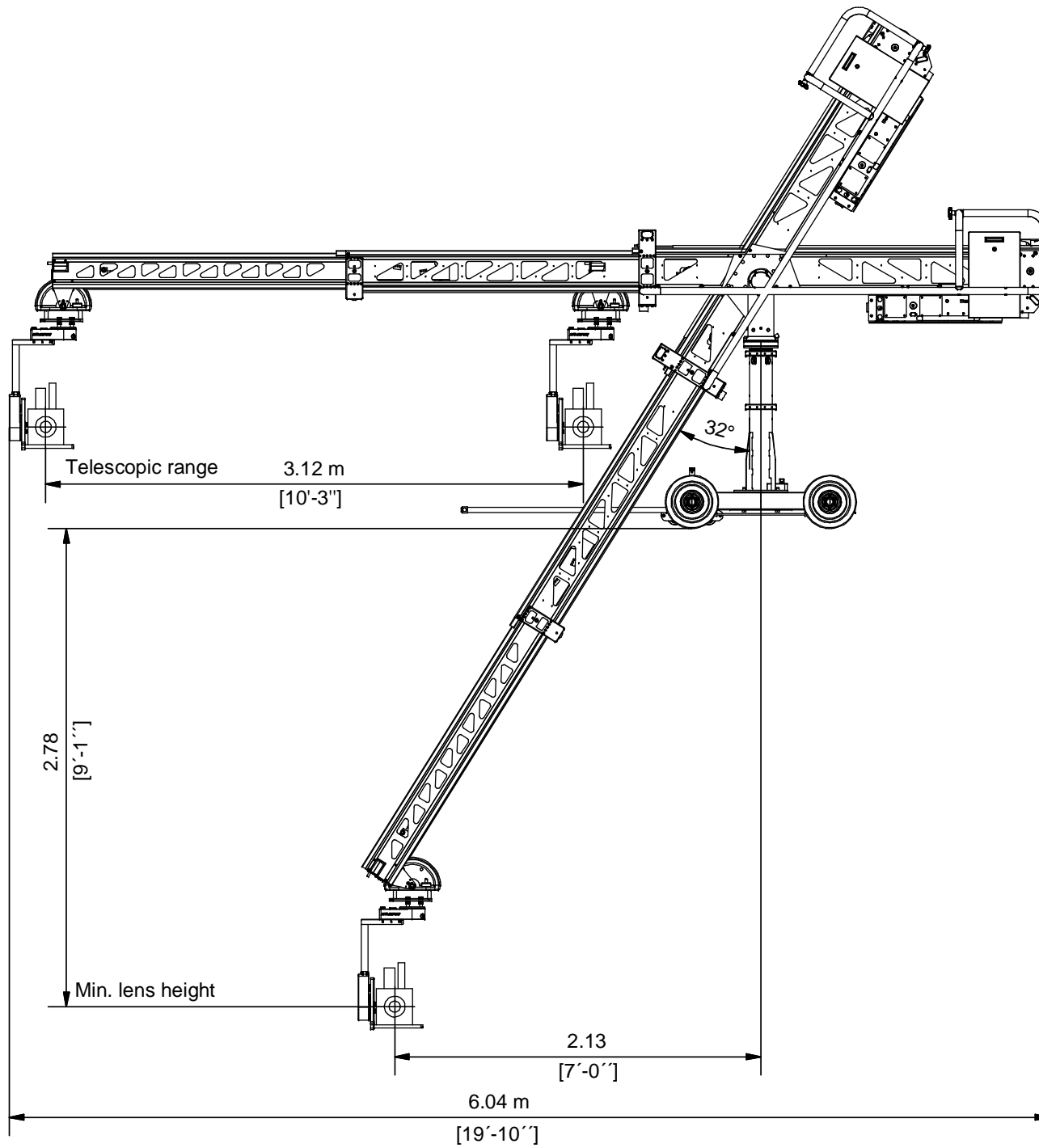


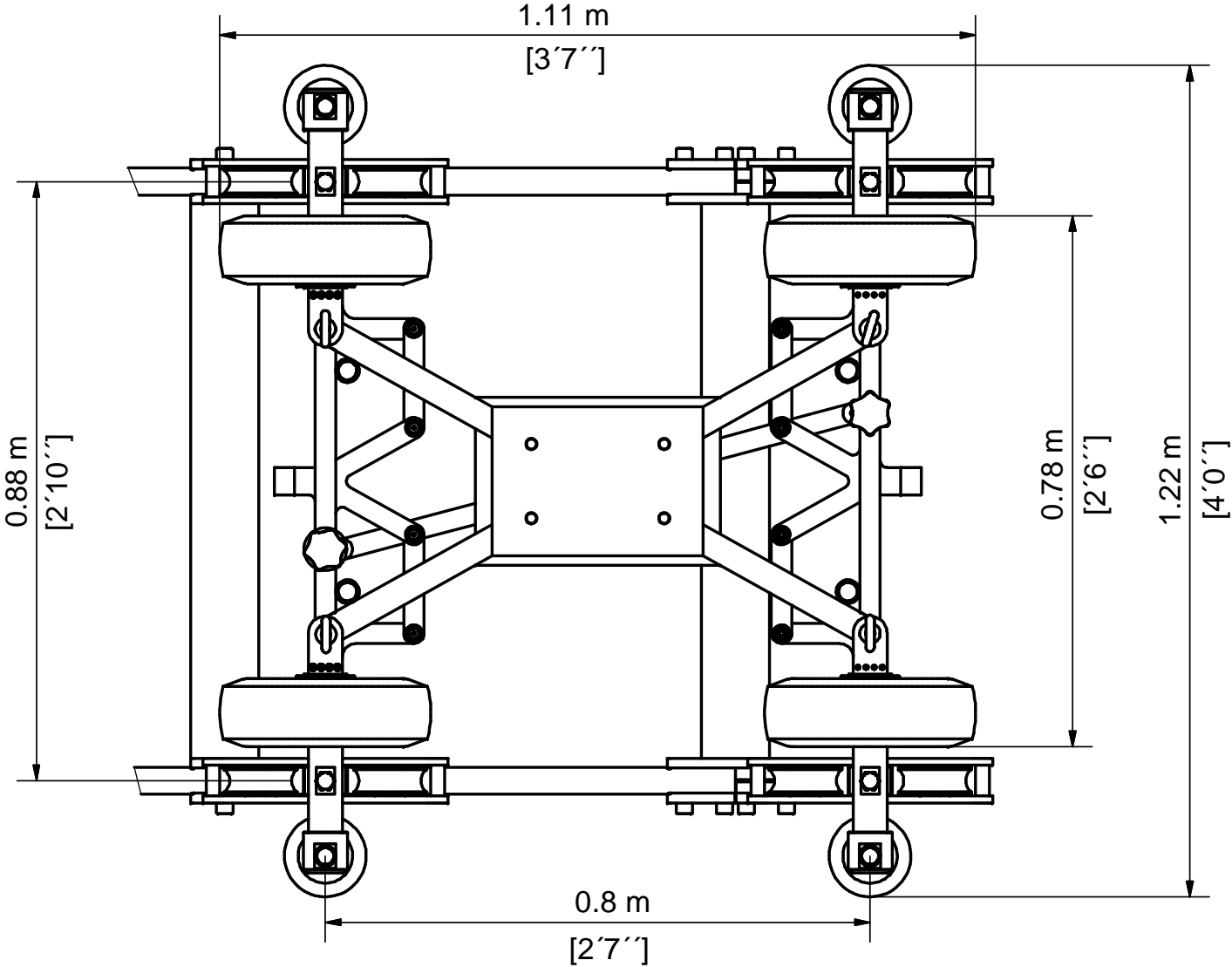
TECHNO15

Max. lens height:	4,6 m / 15 ft.
Max. telescopic extent:	3,1 m / 10 ft.
Max. camera weight:	35 kg / 80 lb
Total weight:	523 kg / 1153 lb
Max. speed	0,75 m/s





TECHNO 15



15' Technocrane Spec. Sheet

Arm

Overall Length- Closed	8' 10"
Overall Length- Open	19' 1"
Fulcrum to Front End- Closed	3' 4"
Fulcrum to Front End- Open	13' 7"
Tail to Fulcrum	5' 6"
Maximum Lens Height	15" 3"
Weight (Arm Only)	287 lbs.
Tele Travel (Full Extend - Full Retract)	2.5 fps
Approximate "All Up" Weight	1153 lbs.

Dolly

Length	3' 7"
Width	2' 6"
Width (Wheels Off)	1' 10"
Post Height (Ground to Bottom of Pan Pivot)	3' 8"
Highest Position (Tall Post)	6' 10"
Lowest Position (Short Post)	5' 9"
Weight	148 lbs.
Column	68 lbs.
Maximum Tilt	60 degrees
Track Width	2' 11"

Remote Head

Remote Head Type	Z Head
Length in Shortest Configuration	2' 2"
Length in Tallest Configuration	3' 3"
Width	15"-18"
Depth	
Weight	59 lbs.
Pan & Tilt Revolutions	3
Maximum Speed	
Digital Motion Capture Capable	No